



Advanced &
Advanced SensorUnit

Flexion
The Microscope Family



We want **satisfied** dentists.
And **happy** patients.





Designed,
developed and
made in Germany

Flexion Advanced

Since 2007 CJ-Optik has become one of the high-performance companies in the field of dental microscopy. With distributors in 75 countries worldwide we go for efficient solutions in the interests of dentists and patients.

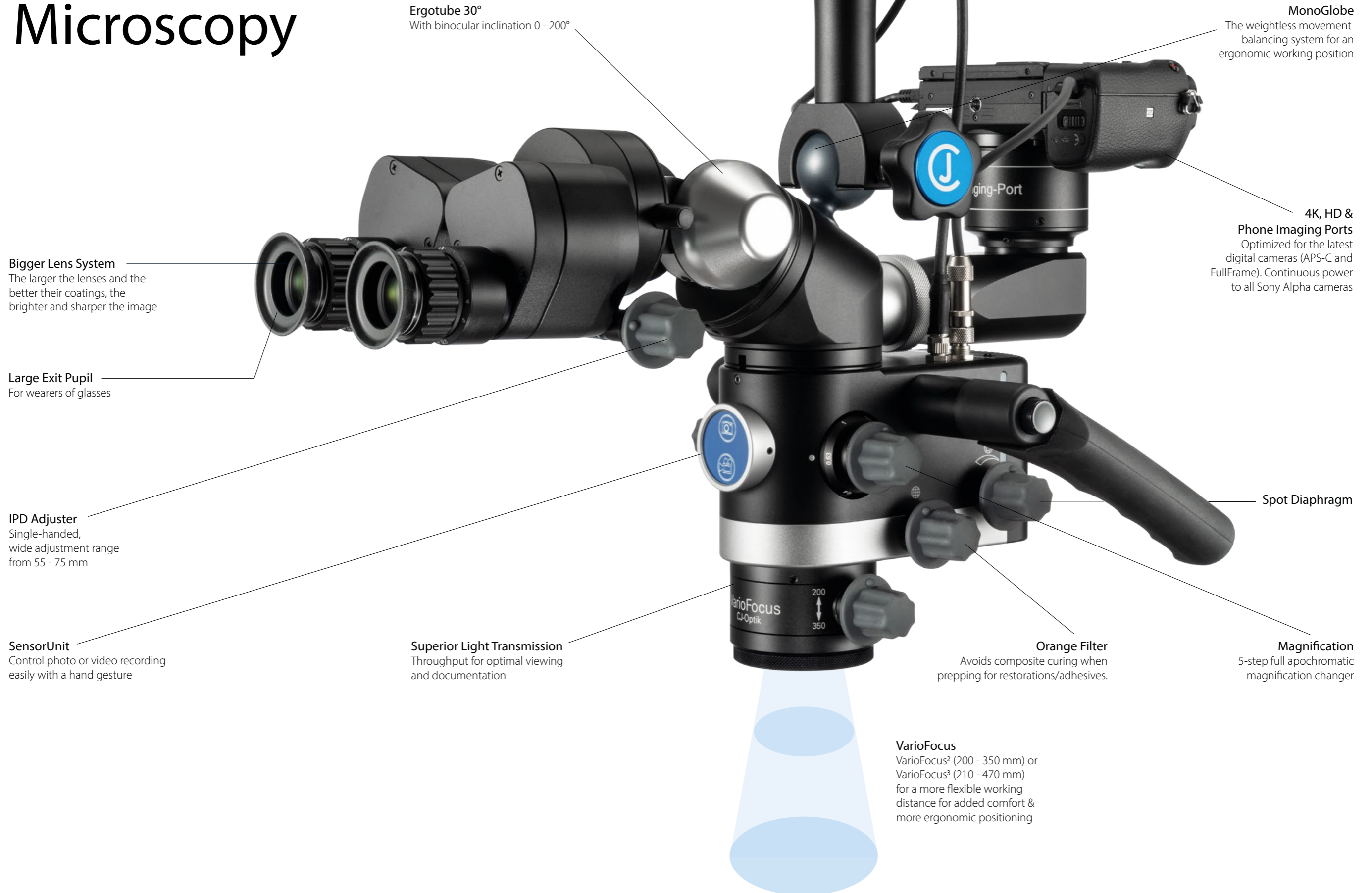
Customer satisfaction is the cornerstone of our success. That is why we do everything we can to maintain customer confidence.

Top-quality products help us gain customer satisfaction. We can rely on many years of experience and technical progress. Our trained team ensures that our customers are looked after optimally at all times.

All over the world dentists and dental clinics share their practical experience with us. This led to the development of the new **Flexion Advanced & Flexion Advanced SensorUnit** microscopes.



Advanced Microscopy



Ergotube 30°
With binocular inclination 0 - 200°

MonoGlobe
The weightless movement balancing system for an ergonomic working position

Bigger Lens System
The larger the lenses and the better their coatings, the brighter and sharper the image

4K, HD & Phone Imaging Ports
Optimized for the latest digital cameras (APS-C and FullFrame). Continuous power to all Sony Alpha cameras

Large Exit Pupil
For wearers of glasses

IPD Adjuster
Single-handed, wide adjustment range from 55 - 75 mm

Spot Diaphragm

SensorUnit
Control photo or video recording easily with a hand gesture

Superior Light Transmission
Throughput for optimal viewing and documentation

Orange Filter
Avoids composite curing when prepping for restorations/adhesives.

Magnification
5-step full apochromatic magnification changer

VarioFocus
VarioFocus² (200 - 350 mm) or VarioFocus³ (210 - 470 mm) for a more flexible working distance for added comfort & more ergonomic positioning



Awarded for Design.
Designed for Dentists.



Optics



For superior results

Advanced Optical Design

CJ-Optik Flexion microscopes are highly acclaimed for their superior image quality. It is only through the communication between the optics designer and CJ-Optik that the optimal specifications can be developed and implemented. With the use of apochromatic optics in the Flexion Advanced microscope dentists can detect the finest colour and structure details.



Perfect Illumination

The fanless LED spot lighting provides a well-lit treatment area with high colour rendering index and 5,400 K. Future-proof with 65,000 hours lifespan. The spot diaphragm always shows the assistant the exact treatment site and prevents light from falling into the patient's eyes.



VarioFocus

Choose from either the VarioFocus² with 200 - 350 mm range or the VarioFocus³ with 210 - 470 mm working distance and plan-apochromatic correct built-in optics. The superior light transmission provides optimal viewing and documentation results. Removable protection cover lens with Hydrophobic Coating (HPC). Index Matching Coating for highest transmission and low reflection rates.



Details make the Difference

Just to name some of the many remarkable features that makes working with the Flexion Advanced microscopes so comfortable:

- Individual eyecup adjustment
- Large eye relief with bigger exit pupil
- IPD adjuster optionally available

For stress-free treatments

Flexion

Anyone who has ever worked with one of our microscopes knows why we called them Flexion. We consider the Flexion as a flexible extension of the dentist's eyes. The dentist's upright treatment position ensures a relaxed posture and thus prevents neck and back problems in the long term.

MonoGlobe

The uniquely designed MonoGlobe is the weightless movement balancing system. The coupling system allows fluid and smooth repositioning at all angles without having to adjust the tension.

Quality at the Touch of a Button

Ergonomically placed controls ensure that all functions are immediately at your fingertips for all inter-procedure changes.

Cable Management

HDMI, USB, camera AC/DC power and 24V monitor power supply are integrated within the arm for a cleaner cable management. USB, HDMI, Medical monitor power integrated for a better workflow. No fragile fibre-optic cables that break or tangle.

Ergonomics



Whether you prefer to document the treatment in 4K, in HD or with a smartphone: Focal lengths and optics have been uniquely designed for an ideal match to today's latest digital cameras.



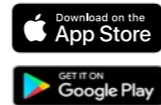
4K-Imaging-Port
For Sony, Nikon & Canon FullFrame cameras



HD-Imaging-Port
For Sony, Nikon & Canon APS-C cameras



Phone-Imaging-Port
Adapter compatible with all smartphones. MicVision App



SensorUnit
For Sony cameras (FullFrame & APS-C)



Full Connectivity
Swivel Arm Advanced with HDMI, 24V, USB. Direct power supply for the camera from the microscope.

CJ-Optik recommends **SONY α**



Save Time for the Important Things

With the MicroVis software specially developed for the Flexion microscopes, the image and video files of the treatment are conveniently and securely stored in your patient's file (PACS). Thanks to its user-friendliness, MicroVis relieves your team and you save important time. MicroVis is optionally available and compatible with all common practice management systems.

- Ideal for communicating with patients & assistants effectively
- Standardizing video and image documentation workflow
- Patient management
- Editing of photos and videos
- Supports DICOM modalities

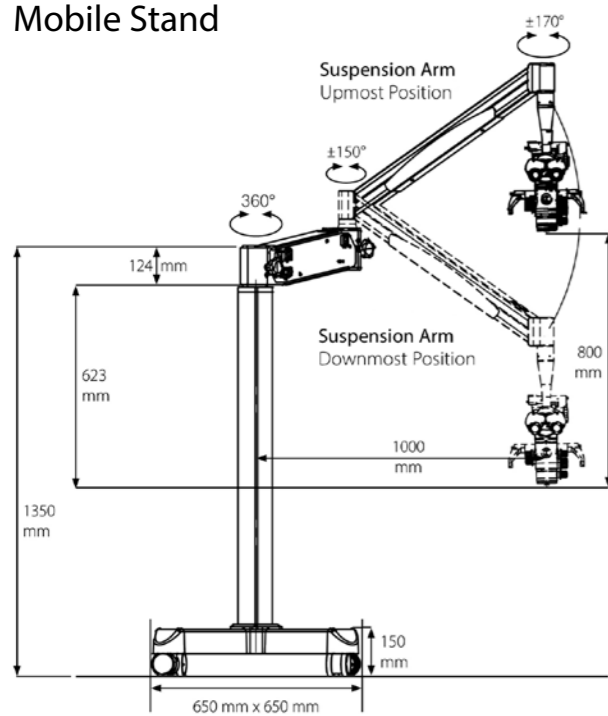


Mounting Options

Flexible and customized

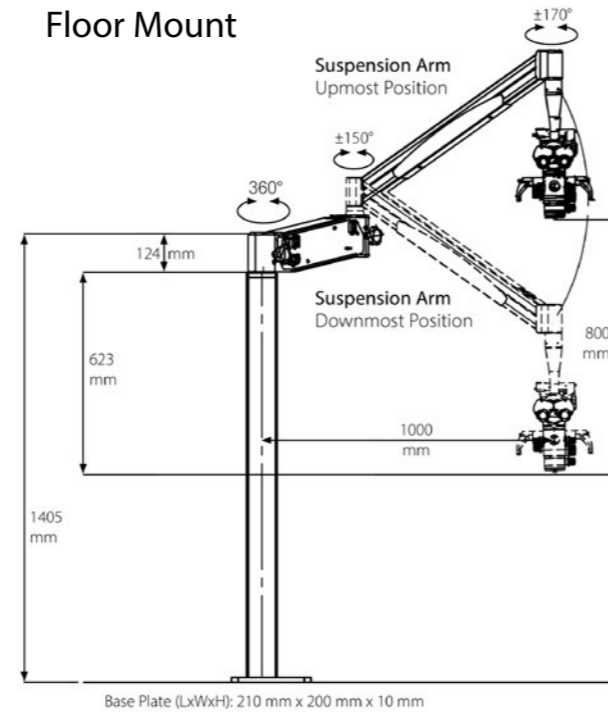
Flexion – The name says it all, even with the different mounting options. In addition to the dimensions shown here, CJ-Optik also offers tailor-made heights and lengths of all tripod parts in order to adapt the assembly to the premises in the best possible way. In addition, the parts can be interchanged (e.g. when changing from floor to ceiling mounting).

Mobile Stand



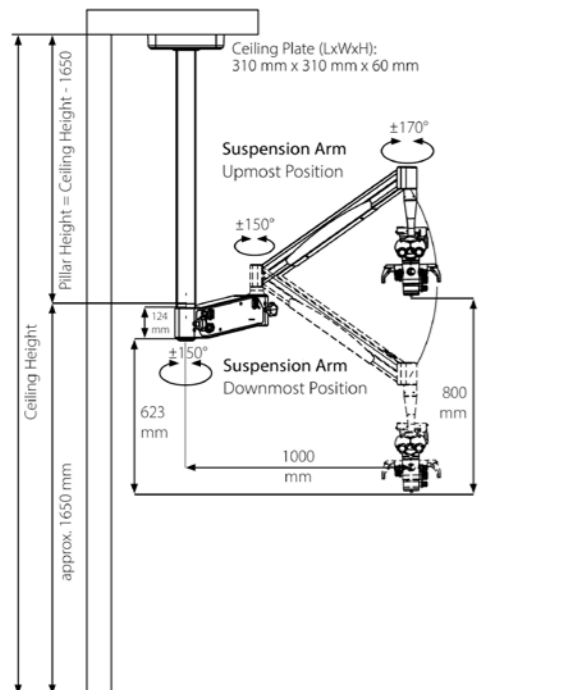
Ideal for use in multiple rooms.

Floor Mount



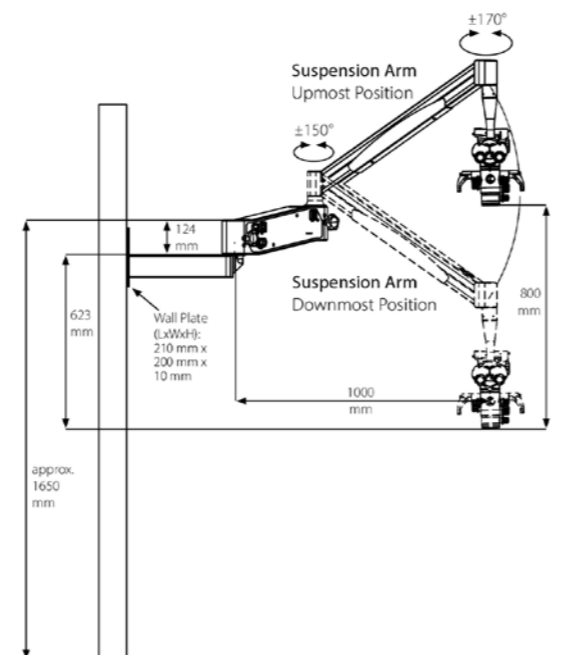
The space-saving alternative to the mobile stand.

Ceiling Mount



Maintains ground clearance. Pillar height can be adjusted to any ceiling height.

Wall Mount



The alternative to ceiling mounting.

Design meets Performance.



Statement of the Jury

“A high-performance high-tech product with a very progressive and contemporary design.”

The German Design Award directly contributes to the overall commercial success. Prizes will only be awarded to projects that truly represent pioneering contributions to the German and international design landscape. The highly esteemed, international jury guarantees this. The German Design Award identifies and presents unique design trends: a competition that advances the design-oriented scene.

(www.german-design-award.com)

Exclusive **unibody construction** offers purity of form and perfection of function. The microscope is created using a **minimalist design philosophy**, demanding that less is truly more. All essentials are included to create a **no-compromise system of elegance and simplicity**.

(CJ-Optik)





Binoculars f 200

Compared to the normal focal length of 170 mm, the new f 200 binoculars lead to an increased magnification of 15 %.

Compatible with all CJ-Optik Flexion Microscopes.



Eyepiece with Reticule

The reticule eyepiece allows you to center the position of the image. This will help your assistance and for photo and video purposes.

Compatible with all CJ-Optik Flexion Microscopes.



Safety First: Laser Filter

We put safety first when you are working with a laser tool. Our laser filter with a range of 705 - 1290 nm ensures that your eyes are safe at any time. Easy assembly: All you have to do is remove the binocular head and then insert the filter. When the filter is not needed, simply pull it out a little.

Compatible with all CJ-Optik Flexion Microscopes.



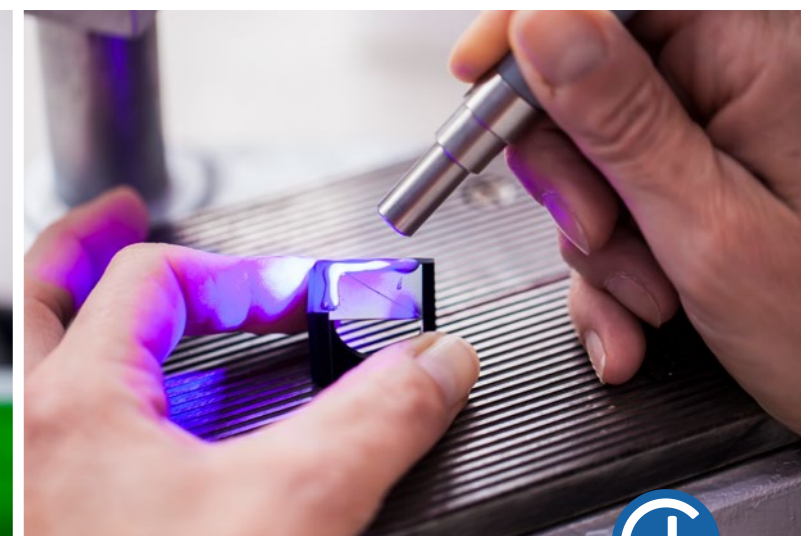
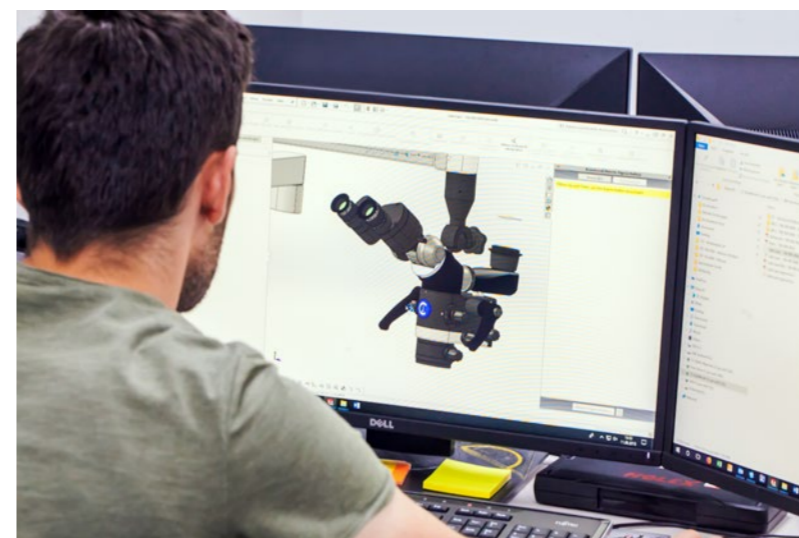
Splash Guard Protection

CJ-Optik offers a splash guard to protect dentists and patients during treatment with the Flexion microscopes. With a simple assembly without tools, the plexiglass plates for the eyepiece and for the lens are attached. The set is available in two sizes.

Compatible with all CJ-Optik Flexion Microscopes.



Our in-house production is located in Asslar in the immediate vicinity of the "City of Optics" Wetzlar. The production is according to CE, ISO 13485 and ISO 9001:2015 thus guaranteeing the highest quality and reliability. We take advantage of the region's out-standing expertise by cooperating with the "Wetzlar Network" and local suppliers.



Technical Data

Flexion Advanced / Flexion Advanced SensorUnit	
Magnification System	5-step apochromatic magnification changer / 0.4 - 2.5
Eyepieces	Widefield eyepieces WF 12.5 x Widefield eyepieces WF 12.5 x / Reticle *
Tube System	F = 170 mm apochromatic / 180° tiltable tube
Stereo Base	24 mm for enhanced 3D vision
Focus System	VarioFocus ² 200 - 350 mm / Plan-APO / glass protection * VarioFocus ³ 210 - 470 mm / Plan-APO / glass protection * VarioFocus with hydrophobic glass protection *
Illumination System	Fanless high power LED 5.400 K / 65.000 h life time 2° with stepless spot diaphragm system Up to 100.000 Lux
Filter System	Swing in green filter Swing in orange filter
Movement	MonoGlobe, 355° Axis control
Handles	Ergonomic handles, 360° adjustable
Asepsis	1 x Asepsis set for the handles and knobs (sterilizable)
Documentation	Integrated beam splitter 50:50 4K-Imaging-Port / FullFrame * HD-Imaging-Port / APS-C * Phone-Imaging-Port / Smartphones * SensorUnit controls for photo / video (<i>only with Flexion Advanced SensorUnit</i>) MicVision App (iOS & Android) * MicroVis Software *
Power	Power adapter for all Sony Alpha cameras, smartphones
Stands	Mobile stand *, Wall mount *, Ceiling mount *, Floor mount *, Dental units *

* optional





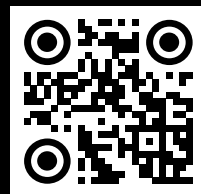
© DenDor – stock.adobe.com

CJ-Optik GmbH & Co. KG

Willeckstrasse 1
35614 Asslar-Werdorf
Germany

Phone: +49 (0) 64 43 - 81 81 33 0
Fax: +49 (0) 64 43 - 81 81 33 9

info@cj-optik.de
www.cj-optik.de



Scan the QR code
to visit us online.

