

Ultrafine particle sprayer & Strong wind vacuum

BURE

Manual



Notes related with Safety



- ? You should read the notes related with its safety and use it carefully according to them,
- ? The manual should be handed to the final users and the man who is responsible for its maintenance,
- ? After reading the manual, it should be kept at the place where users can always see it,



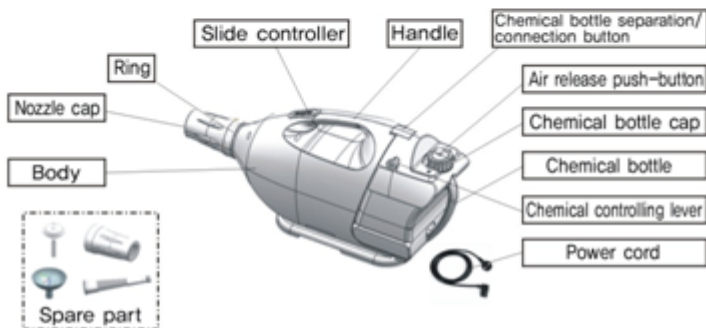
SM BURE Co., Ltd

www.222sm.kr

Components

BURE body/chemical bottle/Spare part/Manual/Power cord

Name of components



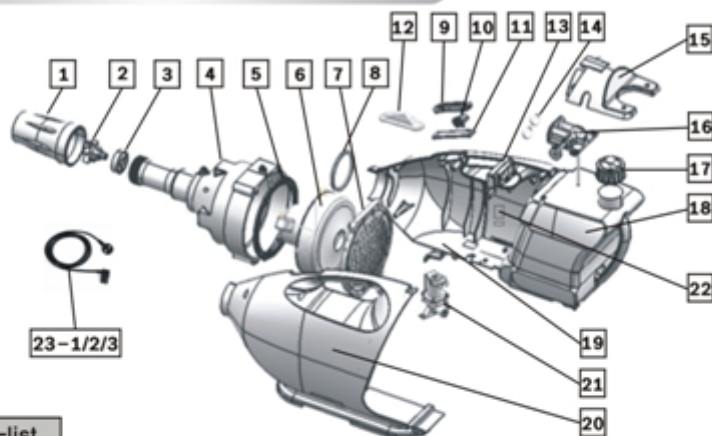
Spare Part-list

Name of spare part	Dimensi on	Quantity	Name of spare part	Dimensi on	Quantity
Suspenders		1	Wrinkle hose	PE	1
Funnel	PP	1	Diaphragm	Solenoid Valve	1
Nozzle cap for cleaning		1	Shaft		1

Dimensions of spare parts

Name of product	Weight	Length of wire	Slide switch	Electron valve	Switch	Power	Motor output	Distance of spray	Size of particle	Capacity of chemical	Size (mm)
BURE	3.0	6MT	○	○	X	220V	1,250 (W)	5	10	3L	160(W) 550(D) 250(H)
BURE3 NEW	2.9	2MT	X	○	○			~	~		
BURE3	2.8	2MT	X	X	○			10Mt	50µm		

Structure and parts of the product



Part-list

No	Part-Name	Part-No	Spec	SVC	Remark
1	CAP- <i>Nozzle</i>	SM001-001	PP		
2	Alr- <i>Nozzle</i>	SM001-002	PP		
3	Support- <i>Nozzle</i>	SM001-003	PP		
4	Case- <i>Motor</i>	SM001-004	PP		
5	Packing <i>Motor</i>	SM001-005	Rubber		
6	Motor- <i>Assy</i>	SM001-006	AC 220		
6-1	Motor- <i>Assy</i>	SM001-006-1	AC 105-127V		
7	Cover- <i>Motor</i>	SM001-007	PP		
8	Ring	SM001-008	ABS+Cr		
9	Case- <i>Slider</i>	SM001-009	PP		
10	Slider	SM001-010	pp		Inapplicable to Bure3 and Bure3 New
11	Slider <i>plate</i>	SM001-011	pp+print		
12	Switch- <i>Assy</i>	SM001-012	AC250V		
13	Assy- <i>Connector</i>	SM001-013	pom+pitling		
14	O- <i>ring</i>	SM001-014	rubber c=8 7.5*1.5		internal diameter7.5* external diameter10.5
15	Assy- <i>Cover Check</i>	SM001-015	pp		
16	Assy- <i>Check valve</i>	SM001-016	pom+bs		
17	Cap- <i>Tank</i>	SM001-017	pp		
18	Tank	SM001-018	pe		
19	Body- <i>Rt</i>	SM001-019	pp		
20	Body- <i>L</i>	SM001-020	pp		Inapplicable to Bure3
21	Assy- <i>Solenoid Valve</i>	SM001-021	AC220V		
21-1	Assy- <i>Solenoid Valve</i>	SM001-021-1	AC115V		Inapplicable to Bure3, Bure3 New
22	Main- <i>PCB</i>	SM001-022	AC220V		
22-1	Main- <i>PCB</i>	SM001-022-1	AC115V		Applicable to Bure3, Bure3 New
23	Power- <i>Cord</i>	SM001-023	KP-2 L=2MT		Applicable to Bure3, Bure3 New
23-1	Power- <i>Cord</i>	SM001-023-1	KP-2 L=6MT		Applicable to Bure3, Bure3 New
23-2	Power- <i>Cord</i>	SM001-023-2	KP-2 L=15MT		Parts soldseparately
23-3	Power- <i>Cord</i>	SM001-023-3	KP-2 L=30MT		Parts soldseparately

Notes

- ◆ This product is used only for 220V.
- ◆ In replacing a fuse, it is necessary to use only the proper fuse.
If you use one other than the proper fuse, fire or error can occur.
Rating(250V 10A)
- ◆ In providing and mixing chemicals, you should follow the corresponding guidelines.
- ◆ In handling and spraying toxic chemicals, you should wear protective equipment.
- ◆ Only the person with sufficient related knowledge should operate the machine.
- ◆ Don't put flammable agents(gasoline, thinner, kerosene, diesel and so on)into the chemical bottle.
- ◆ It is necessary to push the air release push button until the air is completely released after use.
- ◆ Be cautious about firearms and shock.
- ◆ It is necessary to wash the chemical bottle with water and to spray water into it for 30~60 seconds after use.
(Otherwise the product can be blocked or damaged due to the remaining chemical.)
- ◆ The machine is wet or sinks into water, it should not be supplied with power.
In this case, you should contact our service center. It can cause fire or electric shock.
- ◆ In checking error or putting chemicals, it is necessary to disconnect the power cord.
- ◆ It is necessary to look around and to be careful so as not to spray others in spraying chemicals.
- ◆ It should be kept in the places where children can't approach.
- ◆ Its users should not be release or modify the product as they want.
It can cause errors and malfunction to the product and lead to fire or electric shock.
(The product released or modified can't receive AS.)

How to use

In spraying or cleaning chemicals

*. In using the product

- ◆ Insert chemicals in proper amount into the chemical bottle and turn its cap to the right,
- ◆ Connect the chemical bottle with the chemical to its body,
(Connect them until the chemical bottle separation/connection button connects to the body with "ddak" sound,)
- ◆ Turn the chemical control lever of the chemical bottle to the right in order to place the chemical bottle valve in the close position,
- ◆ Plug the power cord at the outlet,
- ◆ While moving the slide controller to the "Strong" Position, turn the chemical control lever to the left to open the valve,
(For Bure 3 and Bure 3 New, place the power switch "IN" Position,)

*. In finishing the use,

- ◆ Turn the chemical control lever of the chemical bottle to the right to close the chemical control valve,
- ◆ Place the slide controller in the "Weak" position,
- ◆ Wait for about 4–5 seconds until the motor stops,
- ◆ Push the Air release push button(on the cap of the chemical bottle) until all the air is released,
- ◆ Separate the chemical bottle from the body, (It is possible to remove the chemical bottle by pushing the separation button,)
- ◆ While moving the slide controller to the "Strong" Position, turn the chemical control lever to the left to open the valve,
(When spraying is completed, it is necessary to operate the body until the air is released,)
- ◆ Keep the chemical bottle connected with the body,

In air-spraying and cleaning

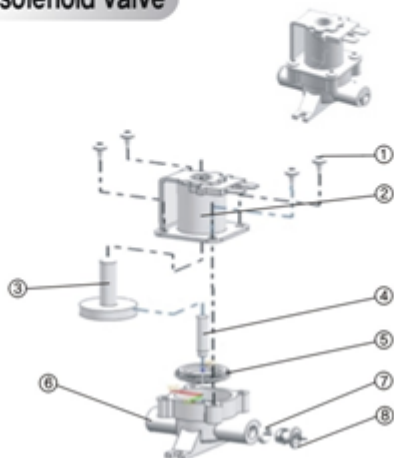
- ◆ Separate the chemical bottle from the body, (It is possible to remove the chemical bottle by pushing the separation button,)
- ◆ Turn the nozzle cap for spraying to the left to separate from the body,
- ◆ Assemble the wrinkle hose to the nozzle cap for cleaning and then to the body,
- ◆ Place the slide controller in the "Strong" position and spray air to the place you want,

- * After air spraying and cleaning, it is necessary to replace the nozzle cap for cleaning with one for spraying,
→ If you use the nozzle cap for cleaning, it is impossible to clean,

How to take measures for errors

Condition	Measures	Remark
Although the slide controller is placed on "Strong", motor doesn't operate.	<ul style="list-style-type: none"> ◆ Check whether the power cord of the product is plugged at the outlet, ◆ Check whether the power cord jack and power cord of the product are connected, ◆ Check whether the power fuse is normal, <ul style="list-style-type: none"> – Check the fuse in the fuse-holder assembled on the body, – Check the fuse in the fuse-holder on the rear of the product, 	<p>If there are still errors after taking measures, request A/S.</p> <p>* Use the fuse with the proper capacity in replacing fuses, (250V/10A)</p>
Although the motor operates normally, the chemical isn't sprayed.	<ul style="list-style-type: none"> ◆ Check whether the chemical bottle is normally placed on the body, ◆ Check whether the control valve of the chemical bottle is closed, ◆ Check whether the cap of the chemical bottle is closed completely, ◆ Check whether the chemical bottle is damaged, (If so, it is necessary to buy the chemical bottle,) ◆ Check whether the O-ring of connector to connect the body and the chemical bottle is damaged, (If so, its rating: internal diameter: 7,5 and external diameter: 10,5) ◆ Check whether the nozzle cap for cleaning with big hole size is place and then replace it with one with small hole size, ◆ After releasing the chemical bottle, insert the air of 1kg/m² into the left hole of the connector in the body and remove the foreign matters within it, ◆ After releasing the body of the product and its solenoid valve, clean it and reassemble, (Refer to the manual for Solenoid valve A/S) 	<p>– For the nozzle cap with big hole size(diameter 35), it is used for air cleaning, If there are still errors after taking measures, request A/S,</p>
Although the motor operates normally, the chemical is sprayed intermittently.	<ul style="list-style-type: none"> ◆ Check whether the chemical bottle is normally placed on the body, ◆ Check whether the control valve of the chemical bottle is closed, ◆ Check whether the cap of the chemical bottle is closed completely, ◆ Check whether the chemical bottle is damaged, (If so, it is necessary to buy the chemical bottle,) ◆ After releasing the chemical bottle, insert the air of 1kg/m² into the left hole of the connector in the body and remove the foreign matters within it, ◆ After releasing the body of the product and its solenoid valve, clean it and reassemble, (Refer to the manual for Solenoid valve A/S) ◆ After releasing the body of the product, check whether the pipe is connected normally and reassemble it again, ◆ Check whether the pipe hose within the product is damaged, If so, replace it with another, 	<p>If there are still errors after taking measures, request A/S.</p>

How to maintain solenoid valve



1. Part-List

No	Part-Name	Code-No	Spec	Q'ty	Remark
	Solenoid-Valve Assy	SM001-020	AC 220V		
		SM001-021	AC 110V		
1	Screw-Tap		PH 2s-4*10 fez	4	
2	elec-solenoid		220 ~ 240V	1	no service
3	Case-Shaft		PP	1	
4	Shaft-Assy	SM001-0024	scp1+Rubber	1	spare-Part
5	Diaphragm	SM001-0025	POM+Rubber	1	spare-Part
6	Body		POM	1	no-service
7	O - Ring	SM001-0026	Rubber	1	
8	Cap-Plating	SM001-0027	POM	1	

2. How to release and assemble the solenoid valve

1. Release the screw of ① (4 places)
2. Release ②(Elec-Solenoid).
3. Release ③(Case-Shaft).
4. Release ④(Shaft-Assy) and then check whether the rubber of the end is expanded.
5. Separate ⑤(Diaphragm) from ⑥ the body and then check
 - Whether the rubber is damaged(expanded or torn), (if so, replace it with its spare-part.)
 - Whether the foreign matters pollutes the rubber, And then remove the foreign matters.)
6. The order for re-assembling is reverse.

Warranty & Quality guarantee

SM BURE Co., Ltd	
Name of product	BURE
Series number of manufacture	NO.
Date of Sale	20 . .
Period of guarantee	1Year

Guidelines for Service compensation according to Quality guarantee

Dissatisfaction type for quality guarantee			Dissatisfaction type for quality guarantee	
			Within guarantee period	after guarantee period
Performance or function error caused in normal conditions	Repair possible	When errors happens	Repair for free	Repair for free
		When errors reoccur although repairing the same errors three times	Exchange products	Repair at cost
	Repair impossible		Exchange products	—
		When it is necessary to repair the important parts right after purchase	Exchange products	—
Performance or function error caused by consumers intentional mistake	Repair possible		Repair at cost	
	Repair impossible	Except the cases by external error, not performance or function error	Exchange products after receiving the cost for the repair	—

* What is not specified is according to the company's additional compensation guidelines.
And if the date of purchase is not specified in the guarantee, its guarantee period after the date of manufacture applies.

Guidelines for Service

■ If there is an error while using the product, please review the manual and then contact a special agent or service center where you purchase it, Condition for guarantee

■ Free service

It is possible to repair for free if you use the product in normal condition within 1 year(600 Operating hours) from the date of purchase.

■ Service at cost

In the following cases, you should pay the cost of service(repair cost, part cost).

1. Excess of the guarantee period

2. Within the guarantee period

-Error caused by natural disasters(fire, gas explosion, damage from

sea wind, flood, earthquake, lightning and so on)

-Error caused by negligence and mishandling

-Error caused when the person other than the service engineers of our service centers

-When the products are disassembled or their labels are detached

-Error caused by the malfunction of power or connector

-When the products are used for ones other than specified purposes

-Natural consumption of consumables

-Error caused by the internal modification by users

-Error caused by the thinner or firearm

■ We should not be responsible for the safety accident caused by the negligence of users.

■ The products specified in this manual can be discontinued or modified without any notice. Please check it in purchase.

If there is an error or dissatisfaction in use, contact service centers or the places where you purchase the product.

SM SM BURE Co., Ltd

Tel. +82-1688-1533

8.bmp
(466 X 659)